

Next Meeting; Tuesday January 17th 2012, Saturday Workshop is the following Saturday

January 21st

January 2012

**Executive Committee
2011 / 2012**

President

Phil Tonks 9625 9202

Vice president

Ray Barrett 47393502

Secretary / Treasurer

Ian Griffiths 47313045

Floor Members

John Oakey 4739 6143

Daniel Cliff 47392782

Philip Knight

Publicity Officer

Ray Barrett

Equipment Officer

John Oakey

**First Aid Officer &
Newsletter**

Daniel Cliff

Catering Officer

Philip Knight

**Projects and
Demonstrations**

Phil Tonks

Presidents Report

A very pleasant afternoon was had by all at the 2011 Club Christmas Party. The food was wonderful, especially the deserts.

Thanks to Ray Barrett and John Oakey for setting up the hall , and a big thank you to all who helped clean up afterwards.

Congratulations to Max Sinclair who was the winner of the plank competition with his tool-box. Well done to all the entrants .

A little disappointing that there was only seven entries, but we hope for a larger participation in 2012.

*Phil Tonks
President.*

Overdue plank payments

A few members have not yet paid for the planks they had for the plank competition in 2011. These payments are well overdue, so, if you feel guilty. Please pay the Treasurer at the next meeting!

Bus trip

The bus trip to Anagate Timbers at Marrickville is on for February 29th 2012. The bus will depart from a point to be advised, at 10.00 AM SHARP!

Cost is \$10.00 per head, payment at the next meeting please. At the time of writing, 4 seats were still available! (14 seater bus). Lunch will be at your own expense.

Australia Day

We will be having a show and demonstrations on the day, but those who are helping out please make yourself available. Advise at the next meeting of your intentions. We will have a sales table and members can sell items, but the club will take 15% for each item sold. It is intended to hold a raffle with possible 2 prizes.

The Vines

A visit to 'The Vines' Church Lane Cranebrook, is mooted for March 28th. Partners will also be most welcome to come along. Put the date in your diaries now!

The Vines is a small tool museum, but I am told the scones and cream are fantastic!

UBD Map 123 B-14, shows a small church. I am not sure if that is correct. More at the next meeting.

*"Laugh as much
as you breathe
and love as long
as you live."*

While every care is taken to ensure accuracy, the editor and publisher accepts no responsibility for any inaccuracies in articles or information contained in Fine Cut

About the Club

The Club meets on the third Tuesday of the month at the Girl Guides Hall, at the end of Bunbinla Avenue Mount Riverview at 7:00 PM.

The Club also holds an all day Workshop on the Saturday immediately following the Tuesday night Meeting (not necessarily the third Saturday in the month), commencing 8.30PM to 4.30PM

Visitors are invited to participate in up to three club meetings and/or activities.

After three visits if they are satisfied with the club's format and activities, they are expected to become full members of the club by paying the membership fees.

The meetings will start with a welcome to members and visitors. On Tuesday nights machines can only be used between 7.00PM and 9.30 PM. After 9.30 PM machines are unplugged and we all clean up and all equipment is put away.

Then 'Show and Tell', 'Questions and Answers', and our library is open

Supper is provided, and the Meeting is closed at 10.00pm.

On Saturdays machines can be used all day up to 4.15PM, then we all clean up, our equipment is put away, and our library is open.

"Show and Tell" and "Questions and Answers" will be immediately after lunch before we restart.

Morning and afternoon tea is provided, however BYO lunch and any other drinks etc

Community Projects

The Club is undertaking some community projects. We have been tasked to make some items for Dementure patients in a Nursing Home. The next Tuesday meeting, (*Jan 17th*), will entail setting up to do these items, and Saturday, Jan 21st, we will make some of them.

They are simple item which should be fun to make. It would be nice to have **ALL** members come along and assist in this worthwhile project.

Show and Tell,

This is your opportunity to show off something you have made, be it small, simple, or something ornate, bring it along and, most importantly, show off!

Own Projects.

As is the clubs intention, if you have something you are making, and need some help in some aspect of it, bring it along to the Saturday workshop and seek advise. There is a lot of expertise available, so use it!

Yearly Construction Competition.

Note, I have not mentioned a 'plank' but the executive has something else planned for 2012!

This is something different and while it will be a challenge, it will also be fun!

T- Shirts.

The club T-Shirts can be purchased from 'Mac's Dak's, in Macquarie Road Springwood. They have the updated club name on file, so all you need to do is go in, order and pay.

The shirt is a 'Johnny Bobbin', and must be the Dark Blue, with or without pocket. You may be asked for your member card, so have it with you.

Adjustable Sanding Jig

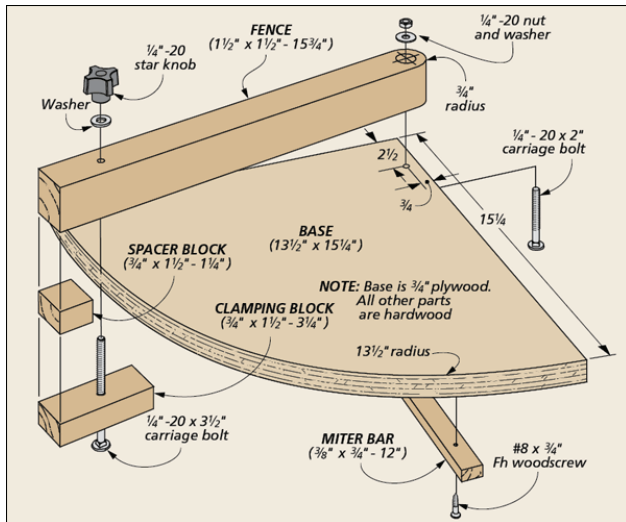
There are times when you need to sand a mitre cut on a work-piece to get a tighter fit. The trouble is, it can be difficult to hold the work-piece at the correct angle to the sander.

So I built the sanding jig in the photo. This fence gives me better support for my work-piece than a mitre gauge could, which makes the mitre more precise.

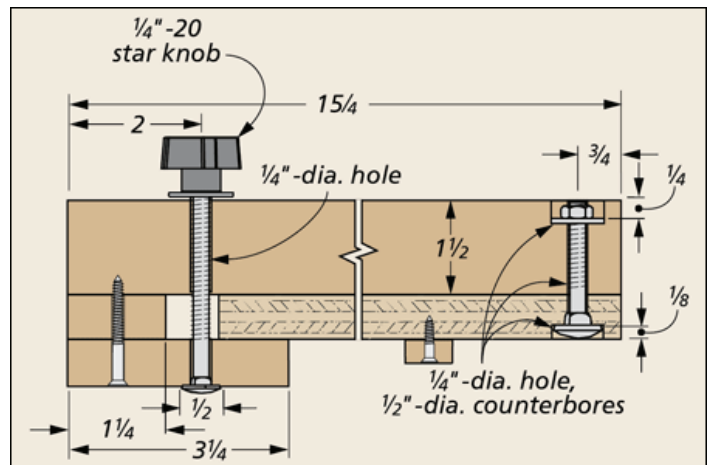
The base of the jig is a piece of plywood with a radius cut on one corner (drawing below). On the underside of the base, attach a mitre bar to register the sander to the table.



In one corner of the base, attach an adjustable pivoting fence. One end of the fence is bolted to the base with a carriage bolt. The other end is held in place by a three-piece clamp tightened with a knob and carriage bolt.



You can use a protractor or a bevel gauge to adjust the fence to the angle that you need to sand. Then slide the work-piece against the fence for an accurately sanded mitre.



Source; (Woodsmith USA)

Some Humour

Australian Immigration Questionnaire

Some years ago an Englishman on a plane to Australia was handed one of these immigration / visitation cards to fill out. After the standard questions, like name, nationality, passport number, etc., he got to a question that asked, "Have you ever been imprisoned?"

He pondered it for a minute, then wrote down,

"I didn't realize this was still a requirement."

