

Next Meeting; Tuesday November 19th at 7.00 PM, Saturday Workshop is on Saturday 23rd
2013 at 0900.

November 2013

**Executive Committee
2013 / 2014**

President

Phil Tonks 9625 9202

Vice president

Ray Barrett 47393502

Secretary

Philip Knight 47395303

Treasurer

Ian Griffiths 47313045

Committee Members

Daniel Clift 47392782

Publicity Officer

Ray Barrett

Safety Officer

Ray Barrett

**First Aid Officer &
Newsletter**

Daniel Clift

**Equipment Officer,
& Catering Officer**

Philip Knight

**Projects and
Demonstrations**

Phil Tonks
Doug Cox

Christmas Party.

***This will be held on Sunday December 15th.
Time is for 1200 for a 1230 start.***

Again Jan Barrett will coordinate the 'bring along' goodies, and the club will supply a selection of cold meats, rather than a BBQ.

Please coordinate with Jan Barrett on what you can bring along in the way of Salads and Sweets to share with others.

Drinks are the individual members own responsibility. Contact Ian Griffiths and advise if you will attend.

To all those who entered the 2013 Club Challenge, you must deliver your entry to the Club House at either our Club Night Meeting on Tuesday 19 November 2013 or the Workshop on Saturday 23 November 2013

Remember late entries **WILL NOT** be accepted under any circumstances.

The entries will be judged at the Christmas Party by the Ladies.

Sweet talking will more than likely get you absolutely nowhere!

You could try though, might be worth seeing the reaction!

Bus Trip 2014

Our first Bus trip for 2014 is on Wednesday 26 February 2014, we are going to the Wood Guys at Oberon – a retail timber group.

We need to know approximately how many are going at either of our next two Meetings so as the correct sized bus can be booked before Xmas.

So please contact me by return Email, by phone on 0247 313 045, or in person at our Meetings to book your seat.

Cost is \$10.00 per person, and further details (pick up times and locations, etc) will be provided in the near future.

Secretary Phillip Knight will also be sending you an Email regarding the Xmas lunch, and how to log on to our brand new web site, in the immediate future.

**Whoever follows a
crowd, will never be
followed by a crowd**

*While every care is taken to ensure accuracy, the editor and publisher will not accept responsibility for any inaccuracies in articles or information contained in
Fine Cut*

What is happening.

Bus trips 2014:

- * Feb 26 Wood guys @ Oberon
- * May 8 Wollondilly Heritage Centre Museum
- * August 27 Cockatoo Island- Rydalmere
- * November 26 (TBA)-Maritime Museum –Ferry

To get the Bus, we need to confirm 3 months before the required date to be able to book the bus.

We are open to suggestion's, and they are not restricted to "places for blokes" it may be a place where we can take our partners.

Since last time.

Due to the rather disastrous Bushfires, the explorers day had to be cancelled by BMWT. Club member participation was also a governing factor from our side. Relocation to the Penrith area- how might it affect our membership?

Tuesday workshop:

We need to complete shapes and chalkboards for the Gabrielle Centre, in Normic Avenue, East Blaxland— Occupational Therapists Centre.
Complete Allan Bewleys book box.

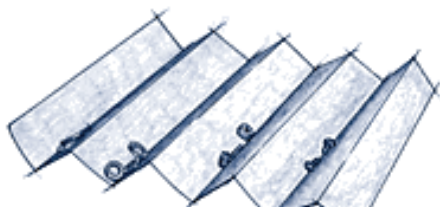
Saturday workshop:

Continue the above projects and for those who have them, own projects (finish John Siccardis wooden stool)

Tasmanian Oak.

I still have some lengths of Tasmanian Oak trims. size is approximately 10mm x 20mm x 3 metres. It is in bundles of 30 ~ 50 pieces. And it is free, so talk to me at either Tuesday or Saturday meetings.

Try this



This is a similar trick I use to use when repairing motors or whatever.

It works quite well. I did use heavier cardboard though.

I often find it necessary to disassemble a tool or appliance in the workshop. It may be extremely important to identify the location and sequence in which parts were removed. I have found that a piece of heavy paper or light cardboard can be most helpful when doing these projects.

I fold my paper in an accordion style and place it on the bench where I'm working.

Now the parts can be placed in the valleys as they are removed, thus preventing them from becoming mixed together. This, of course, makes re-assembly much easier and faster.

(Source: American Woodnet.com)

Flush Trim Jig

Recently I built a bookcase with several plywood shelves, and to conceal the front edge of the plywood, glue a hardwood strip onto each shelf.

But there was a problem when trying to use a router with a flush trim bit to trim the edging.

The front surface of the edging wasn't wide enough to support the router. So, why not build a simple jig to solve this problem.

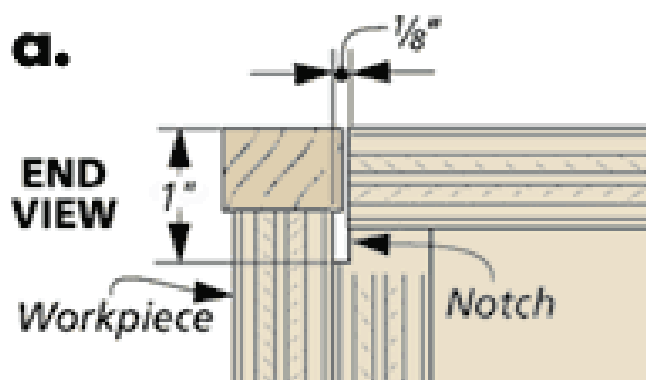
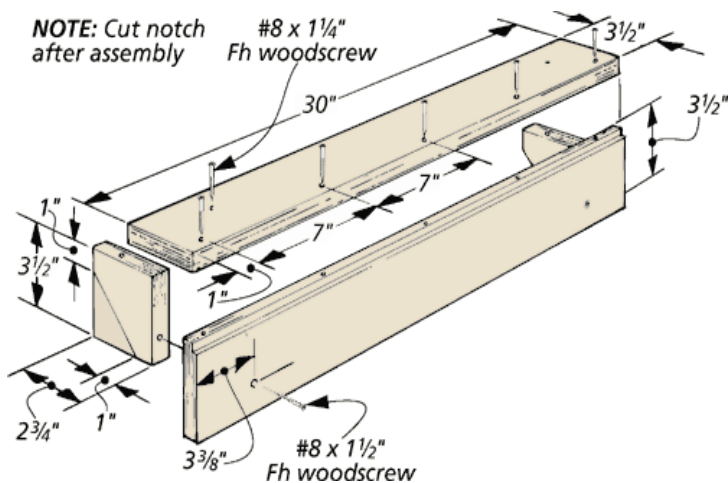
As you can see in the picture, the jig is just an L-shaped "shelf" that clamps to the side of the workpiece to provide a surface for the router to ride on.



It's made from a couple pieces of $\frac{3}{4}$ " plywood that are glued and screwed together. A small brace block is added to each end (see drawing).

And before the jig can be used, a shallow notch is cut along the face to create clearance for the edging (detail a).

To use the jig, just clamp it to the workpiece, flush with the front of the edging



Note the measurements are in imperial.